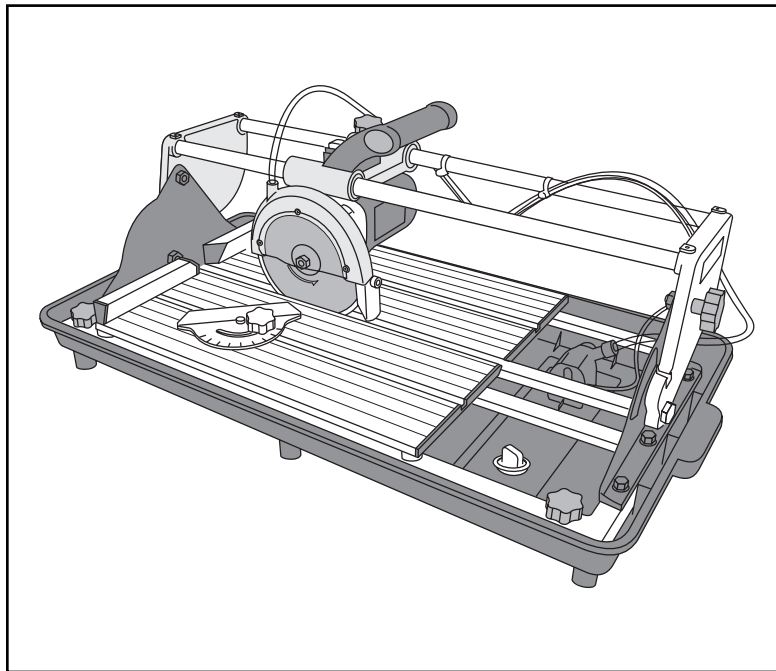


# **Mastercraft**

## **7" SLIDING WET TILE SAW**

55-6740-2



**Owner's Manual**

**Toll-Free Helpline: 1-800-689-9928**



## Table of Contents

SECTION	PAGE
I. Specifications .....	2
II. General safety rules .....	3
III. Specific safety rules for the sliding wet tile saw .....	5
IV. Electrical information .....	6
V. Drawing and location of parts .....	8
VI. Assembly and adjustments .....	9
VII. Operating instructions .....	13
VIII. Maintenance .....	16
IX. Parts list .....	17
X. Warranty .....	19

## I. Specifications

### 7" SLIDING WET TILE SAW

**55-6740-2**

Motor:	120 V AC, 60 Hz, 10 A
Speed:	5,000 RPM (no load)
Blade:	
Size:	7" (17.8 cm) diamond tile cutting blade
Maximum blade size:	7 1/8" (18.1 cm)
Arbor:	7/8"
Maximum cutting length:	18 1/2" (47 cm)
Diagonal cut:	13" (33 cm)
Depth of cut at 90°:	1 1/8" (30 mm)
Depth of cut at 45°:	3/4" (20 mm)
Mitre angles:	0–60°
Bevel angle:	45° left
Worktable (L x W):	18 1/2 x 15 5/8" (47 x 40 cm)
Weight:	36 lb 6 oz (16.5 kg)

## II. General safety rules

Safety is a combination of common sense, staying alert, and knowing how the tile saw works.

**▲ WARNING:** TO AVOID MISTAKES THAT COULD CAUSE SERIOUS INJURY, READ THIS OWNER'S MANUAL CAREFULLY BEFORE PLUGGING IN THE TILE SAW.

1. READ and become familiar with this Owner's Manual. LEARN the tool's applications, limitations, and possible hazards.
2. AVOID DANGEROUS CONDITIONS. DO NOT use power tools in wet or damp areas, and DO NOT expose them to rain.
3. DO NOT use power tools in the presence of flammable liquids or gas.
4. Keep your work area clean, uncluttered, and well-lit. DO NOT work on slippery floor surfaces.
5. KEEP BYSTANDERS AT A SAFE DISTANCE FROM the work area, especially when the tool is operating. Do not allow children or pets near the tool.
6. DO NOT FORCE THE TOOL to do a job that it was not designed to do.
7. DRESS FOR SAFETY. DO NOT wear loose clothing, gloves, neckties, or jewellery (rings, watches, etc.) when operating this tool. These items can get caught in moving parts and draw the operator in. WEAR non-slip footwear, and tie back long hair.
8. WEAR A FACE MASK OR DUST MASK. Tile sawing operations produce dust.
9. UNPLUG the power cord from the electrical outlet before making adjustments, changing parts, cleaning, or performing maintenance on this tool.
10. KEEP GUARDS IN PLACE AND IN WORKING ORDER.
11. AVOID ACCIDENTAL START-UPS. Verify that the power switch is in the OFF position before plugging in the power cord.

**KEEP THIS OWNER'S MANUAL FOR FUTURE REFERENCE.**

## II. General safety rules (continued)

12. DO NOT OVERREACH. Keep proper footing and balance at all times. Wear oil-resistant, rubber-soled footwear. Keep the floor clear of oil, scraps, and other debris.
13. MAINTAIN TOOLS PROPERLY. KEEP tools clean and in good working condition. Follow instructions for lubricating and changing accessories.
14. CHECK FOR DAMAGED PARTS. Inspect moving parts for alignment, jamming, breakage, improper mounting, or any other conditions that may affect the operation of the tool. Any part that is damaged should be properly repaired or replaced before use.
15. MAKE THE WORKSHOP CHILDPROOF. Use padlocks and master switches, and ALWAYS remove starter keys.
16. DO NOT operate the tool while under the influence of drugs, alcohol or medication that may affect the ability to use the tool properly.

**▲ WARNING:** DUST THAT IS GENERATED WHEN CUTTING CERTAIN MATERIALS CAN BE HAZARDOUS TO THE HEALTH. ALWAYS OPERATE THE TILE SAW IN A WELL-VENTILATED AREA, AND PROVIDE FOR PROPER DUST REMOVAL. WEAR A FACE MASK OR DUST MASK WHILE OPERATING THE WET TILE SAW.

**▲ WARNING:** EXPOSURE TO EXCESSIVE NOISE LEVELS CAN RESULT IN PERMANENT HEARING LOSS. ALWAYS WEAR EAR PROTECTION (SAFETY EAR MUFFS OR EAR PLUGS) IN ORDER TO REDUCE THE NOISE LEVEL WHILE OPERATING THE WET TILE SAW.



**ALWAYS WEAR EYE PROTECTION THAT CONFORMS WITH CSA REQUIREMENTS.**

FLYING DEBRIS can cause permanent eye damage. Prescription eyeglasses are NOT a substitute for proper eye protection.

**KEEP THIS OWNER'S MANUAL FOR FUTURE REFERENCE.**

### **III. Specific safety rules for the sliding wet tile saw**

**⚠ WARNING:** DO NOT OPERATE THE SLIDING WET TILE SAW UNTIL IT IS COMPLETELY ASSEMBLED AND THE INSTRUCTIONS IN THIS MANUAL AND THE WARNING LABELS ON THE SAW HAVE BEEN READ AND UNDERSTOOD.

1. Check for proper assembly and proper alignment of moving parts.
2. Always use the blade guard assembly.
3. Know the condition of the wet tile saw. If any part is missing, bent, or not operating properly, replace it before continuing to use the saw.
4. Determine the type of work to be done before operating the wet tile saw.
5. Never perform any operation "free hand" (supporting or guiding the workpiece by hand). Use the clamp assembly to position and guide the workpiece.
6. Do not stand or have any part of the body in line with the path of the wet tile saw blade. Keep the hands out of the line of the saw blade. Never reach behind or over the cutting area.
7. When using a wet blade, verify that there is an adequate supply of water to the blade.
8. Do not attempt to free a stalled blade without turning the wet tile saw OFF first. Turn off the power switch to the OFF position immediately to prevent damage to the motor.
9. Inspect the blade before each use. If there are signs of damage or unusual wear, replace the blade.
10. Do not leave the wet tile saw running unattended. Do not leave the wet tile saw until the blade has come to a complete stop.

**KEEP THIS OWNER'S MANUAL FOR FUTURE REFERENCE.**

## IV. Electrical information

### GROUNDING INSTRUCTIONS

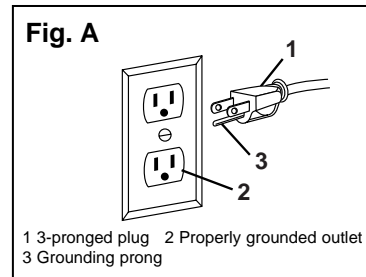
IN THE EVENT OF A MALFUNCTION OR BREAKDOWN, grounding provides the path of least resistance for electric current, and reduces the risk of electric shock. This tool is equipped with a power cord that has an equipment grounding conductor and a grounding plug. The plug **MUST** be plugged into a matching outlet that is properly installed and grounded, in accordance with ALL local codes and ordinances.

**DO NOT ALTER THE PLUG.** If it will not fit the outlet, have the proper outlet installed by an electrician.

**IMPROPER CONNECTION** of the equipment grounding conductor can result in electric shock. The conductor with the green insulation (with or without yellow stripes) is the equipment grounding conductor. If it is necessary to repair or replace the power cord or plug, **DO NOT** connect the equipment grounding conductor to a live terminal.

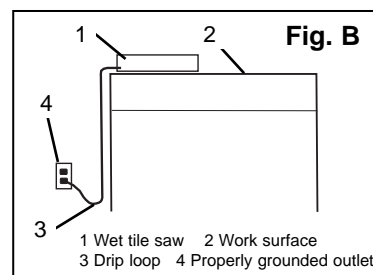
**CHECK** with a licensed electrician if these grounding instructions are not completely understood, or if there is any doubt that the tool is properly grounded.

**USE ONLY 3-WIRE EXTENSION CORDS** that have 3-pronged plugs. Only plug into 3-holed outlets that accept the tool's plug as shown in Fig. A. Repair or replace damaged or worn cords immediately.



**CAUTION:** In all cases, verify that the outlet in question is properly grounded. If in doubt, the outlet inspected by a licensed electrician.

In order to keep the plug and outlet dry, use a "drip loop" in the cord that connects the saw to the outlet (Fig. B). The drip loop is formed by locating part of the cord below the level of the outlet, or before the connector, if an extension cord is used. To create a drip loop, allow the power cord to have a sufficient amount of slack so that the power cord sags between the outlet and the wet tile saw. If an extension cord is used, raise the connector using a chair, milk crate, etc. Verify that the cord is



**KEEP THIS OWNER'S MANUAL FOR FUTURE REFERENCE.**

## IV. Electrical information (continued)

not touching the floor. The drip loop helps to prevent water from reaching the outlet. If the plug or receptacle gets wet, do not unplug the cord. Disconnect the fuse or circuit breaker that supplies power to the wet tile saw, and then unplug the power cord and examine it for the presence of water. Ensure that dripping water does not affect proper footing.

### GUIDELINES FOR USING EXTENSION CORDS

Verify that the extension cord is in good condition. When using an extension cord, be sure to use one that is heavy enough to carry the current that the tool will draw. An undersized cord will cause a drop in line voltage, which will result in loss of power and overheating. The table below shows the correct size to use according to cord length and the amperage rating on the tool's nameplate. When in doubt, use the next heavier gauge. The smaller the gauge number, the heavier the cord.

**Recommended Size of Extension Cords**

Amperage rating of the tool (120 V circuit only)		Total length of the extension cord			
		25' (7.6 m)	50' (15.2 m)	100' (30.4 m)	150' (45.7 m)
More than	Not more than	Minimum gauge for the extension cord (AWG)			
0	6	18	16	16	14
6	10	18	16	14	12
10	12	16	16	14	12
12	16	14	12	Not recommended	

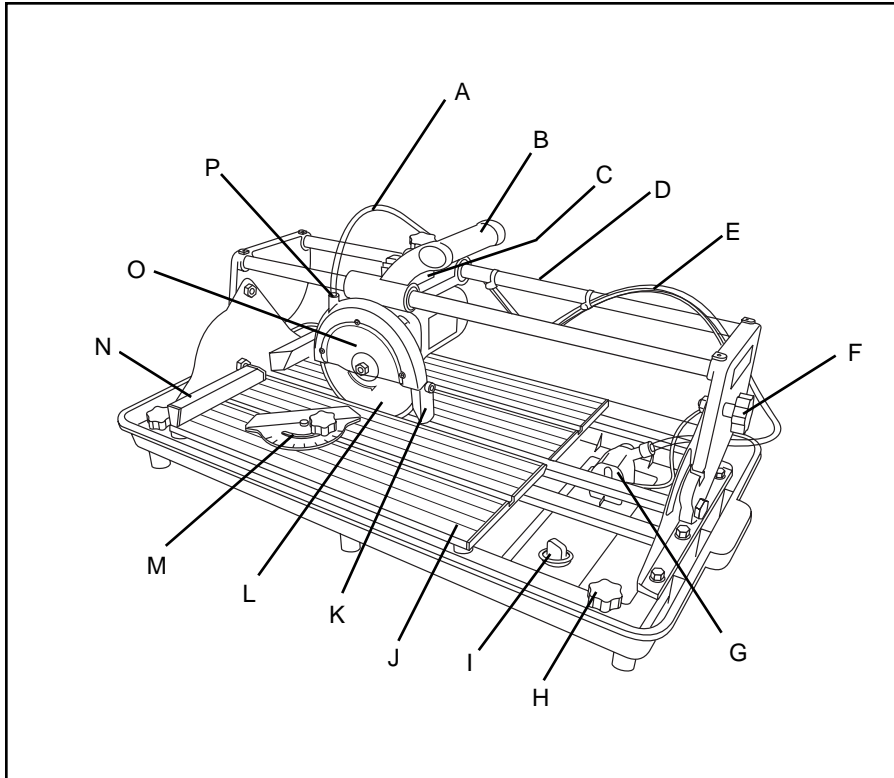
Verify that the extension cord is properly wired and in good condition. Always replace a damaged extension cord, or have it repaired by a qualified electrician before using it. Keep extension cords away from sharp objects, excessive heat, and damp or wet areas.

Use a separate electrical circuit for power tools. This circuit must consist of not less than a #12 wire with a 15 A time-delayed fuse. Before plugging the tool into the outlet, verify that the switch is in the OFF position and that the electric current is rated the same as the current that is stamped on the motor nameplate. Running the tool at a lower voltage will damage the motor.

**⚠ WARNING:** THIS TOOL MUST BE GROUNDED WHILE IN USE IN ORDER TO PROTECT THE OPERATOR FROM ELECTRIC SHOCK.

**KEEP THIS OWNER'S MANUAL FOR FUTURE REFERENCE.**

## V. Drawing and location of parts



- |                              |                           |
|------------------------------|---------------------------|
| A. Water tubing              | I. Drain plug             |
| B. Handle                    | J. Worktable              |
| C. On/Off switch             | K. Splash guard           |
| D. Handle rail               | L. Diamond blade          |
| E. Water pump power cord     | M. Mitre gauge            |
| F. Bevel adjustment knob (2) | N. Ruler                  |
| G. Water pump                | O. Blade guard            |
| H. Tray support knob (4)     | P. Water intake connector |



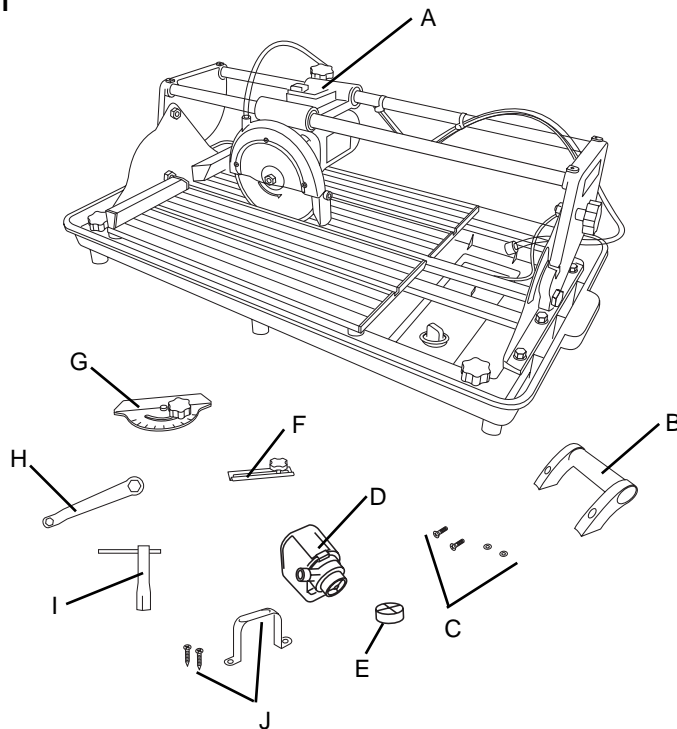
## VI. Assembly and adjustments

### UNPACKING (Fig. 1)

1. Carefully remove the contents from the box.
2. Do not discard the box or the packing material until all parts have been carefully inspected and accounted for.

**⚠ WARNING:** IF ANY PART IS MISSING OR DAMAGED, DO NOT PLUG THE TILE SAW IN UNTIL THE MISSING OR DAMAGED PART HAS BEEN REPLACED.

Fig. 1



- |                          |                               |
|--------------------------|-------------------------------|
| A. Wet tile saw          | F. Clamp assembly             |
| B. Handle                | G. Mitre gauge                |
| C. Bolts and washers (2) | H. Blade wrench               |
| D. Water pump            | I. Socket wrench              |
| E. Water pump filter     | J. Pump bracket with 2 screws |

## VI. Assembly and adjustments (continued)

### ASSEMBLY INSTRUCTIONS

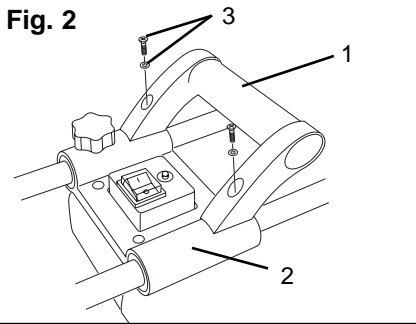
**⚠ WARNING:** IF ANY PART IS MISSING OR DAMAGED, DO NOT PLUG THE TILE SAW IN UNTIL THE MISSING OR DAMAGED PART HAS BEEN REPLACED.

This wet tile saw requires some assembly. For safety reasons, the wet tile saw must be completely assembled before it is plugged into an outlet.

#### Installing the handle (Fig. 2)

1. Position the handle **(1)** over the holes on the rail support **(2)**.
2. Secure each side of the handle to the rail support using a washer and a bolt **(3)**.

Fig. 2



#### Installing the water pump (Fig. 3 to 5)

Verify that the water pump is completely submerged before operating the pump or the tile saw.

1. Position the filter **(2)** over the water intake port **(1)** on the water pump.
2. Connect the tubing **(3)** to the water pump discharge port **(4)**.
3. Position the water pump between the four plastic clips **(5)** on the water tray. Press down in order to ensure a tight fit.
4. Place the pump bracket **(6)** over the pump and secure to the base with two screws **(7)**.
5. Verify that the other end of the water tubing is attached to the water intake port on the blade housing.

Fig. 3

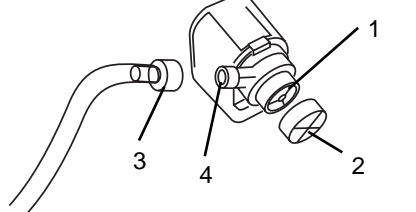


Fig. 4

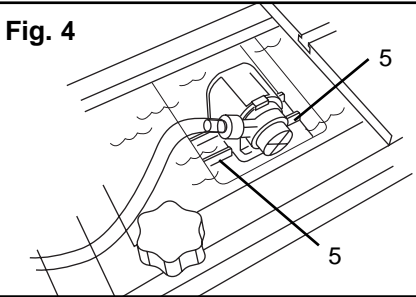
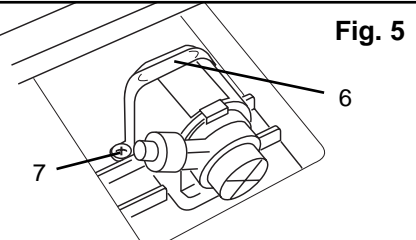


Fig. 5



**IMPORTANT** The water pump must be completely submerged when in use.

## VI. Assembly and adjustments (continued)

### Changing the blade (Fig. 6 and 7)

This accepts blade with a 7/8" arbor.

1. Slide the blade assembly over the open end of the water tray.
2. Remove the three screws (1) that hold the plastic blade guard (2) in place. Remove the plastic blade guard.
3. Place the flat wrench (3) on the blade collar (4), and use it to keep the blade from moving.
4. Place the socket wrench over the blade nut (5), and turn the blade nut counter-clockwise.
5. Remove the blade nut, the blade collar, and the blade (6).
6. Place a new blade over the blade shaft. Verify that the direction of the arrow on the blade (7) matches the direction of the arrow on the metal blade guard (8).

**Note:** If the blade does not fit into the blade housing, loosen the four knobs (1, Fig. 16) that hold the blade assembly to the tray. Lift up the blade end of the assembly and slide the blade through the gap into the blade housing and over the blade shaft. Make sure the blade turns freely and does not touch the blade guard. Tighten the four knobs to secure the blade assembly to the tray after the blade is installed correctly.

7. Place the blade collar and the blade nut on the blade shaft. Tighten the blade nut (5) by turning it clockwise using the wrenches.

Fig. 6

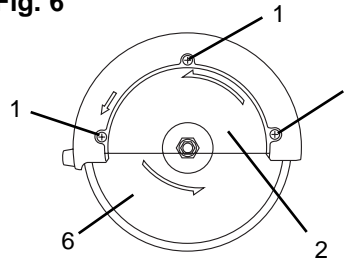
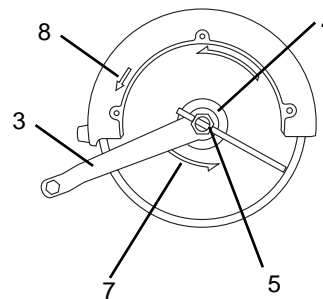


Fig. 7

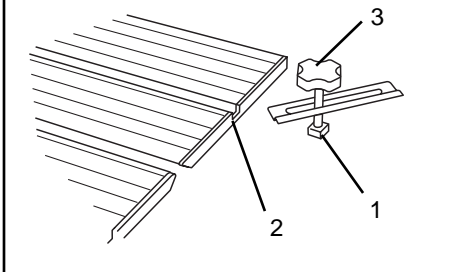


## VI. Assembly and adjustments (continued)

### Installing/moving the clamp assembly and mitre gauge (Fig. 8)

1. Insert the peg at the bottom of the clamp assembly or mitre gauge **(1)** into one of the grooves **(2)** on the worktable.
2. Slide the clamp assembly and/or mitre gauge to the desired location. Tighten the knob **(3)** in order to lock the clamp assembly/mitre gauge into position.

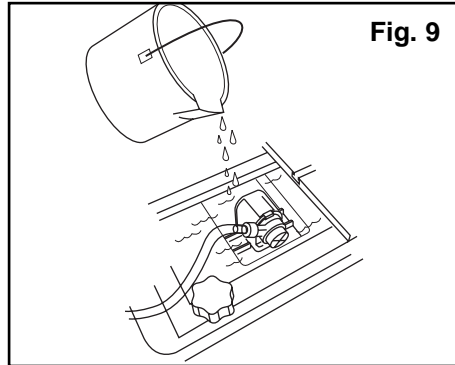
Fig. 8



### Adding water (Fig. 9 and 10)

1. Verify that the drain plug **(1)** is in the drain opening on the tray.
2. Add water until the water covers the metal rack that supports the blade/worktable assembly. Verify that the water pump is completely submerged.
3. Add water as needed while the tile saw is in use.

Fig. 9



**CAUTION:** Verify that the metal bars in the water tray are covered with water. The water pump may be damaged if it is not completely submerged while the tile saw is in use.

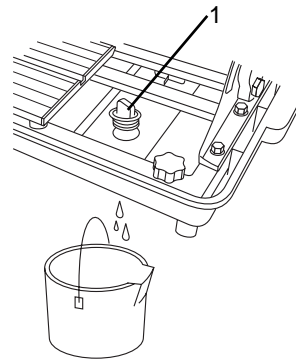
## VI. Assembly and adjustments (continued)

### Draining water (Fig. 10)

1. Turn OFF the power and unplug the wet tile saw from the power source.
2. Place a container under the drain plug opening, or place the tile saw over a sink or drain.
3. Turn the drain plug (1) and pull up on it in order to remove it from the tray. Allow the water to drain out of the opening in the tray.

**Note:** If necessary, the blade assembly and worktable can be removed from the tray. See the section entitled Maintenance for detailed instructions.

Fig. 10



## VII. Operating instructions

### ON/OFF switch (Fig. 11)

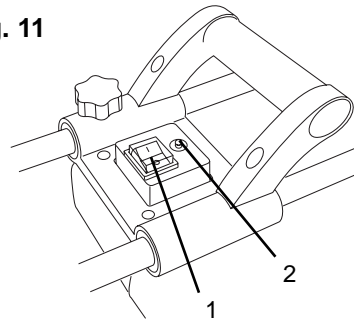
Press the switch (1) to the ON (I) position in order to start the wet tile saw. Press the switch to the OFF (O) position in order to stop the wet tile saw.

### Reset button

In the event of an overload, the wet tile saw is equipped with a reset button. If the tile saw experiences an overload:

1. Turn the power switch to the OFF position. Unplug the power cord from the power source if you have to remove a workpiece from the tile saw.
2. Allow the tile saw to cool for a few minutes.
3. Plug in the power cord.
4. Press the reset button (2).
5. Turn the power switch to the ON position.

Fig. 11



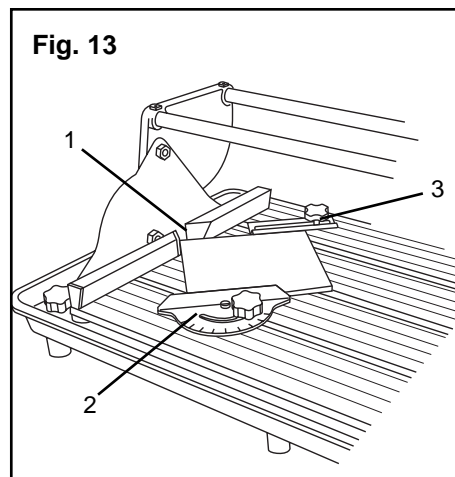
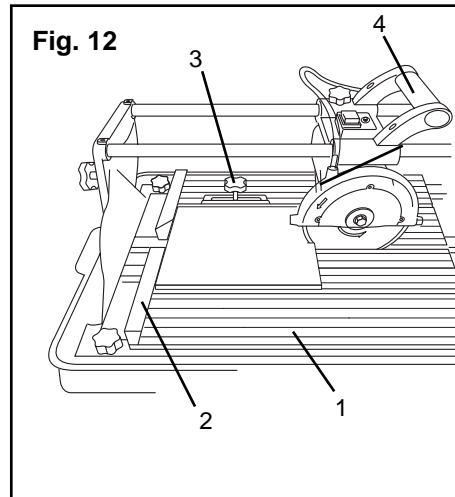
## VII. Operating instructions (continued)

### Cutting tile (Fig. 12)

1. Fill the water compartment with water. Verify that the water level is above the metal rack.
2. Pull the handle (4) of the blade assembly toward the operator so that the blade is not above the worktable (1).
3. Place a tile on the worktable so that it is resting against the ruler (2) at the rear of the worktable.
4. Use the ruler to align the tile with the blade.
5. Secure the tile using the clamp assembly (3) and/or mitre gauge.
6. Verify that the blade is not touching the tile, and then turn the saw on.

**Note:** For wet cutting, verify that the water filter is properly installed and that the tray is filled with water. See the section entitled **Adding water**.

7. When the blade reaches full speed, push the handle (4) in order to move the blade assembly forward and cut the tile.



### Making a 45° cut (Fig. 13)

Follow these steps in order to cut a tile at a 45° angle:

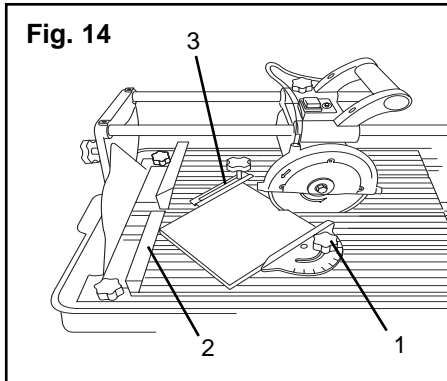
1. Place a corner of a tile into the groove (1) in the ruler.
2. Secure the tile using the mitre gauge (2) and/or the clamp assembly (3).
3. Follow the instructions entitled **Cutting tile**.

## VII. Operating instructions (continued)

### Making a non-45° angle cut (Fig. 14)

1. Loosen the mitre gauge knob **(1)** and set the mitre gauge to the desired angle.
2. Place a tile so that one side is held by the mitre gauge and one corner rests against the ruler **(2)**.
3. Verify that the tile is properly aligned with the blade, and then tighten the mitre gauge knob **(1)**.
4. Secure the tile with the clamp assembly **(3)** so that the tile will not move.
5. Follow the instructions in the section entitled **Cutting tile**.

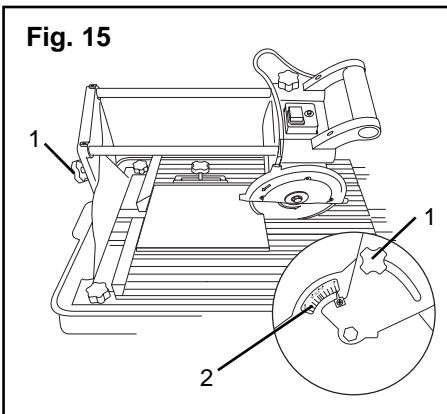
Fig. 14



### Making a bevel cut (Fig. 15)

1. Place a tile so that it rests against the ruler, and secure it in place using the clamp assembly and/or mitre gauge.
2. Loosen the bevel knobs **(1)** located at the front and the rear of the blade assembly.
3. Tilt the blade assembly to the desired angle, using the bevel scale **(2)** as a guide.
4. Tighten the bevel knobs.
5. Follow the instructions in the section entitled **Cutting tile**.

Fig. 15



## VIII. Maintenance

**⚠ WARNING:** TO AVOID INJURY FROM UNEXPECTED START-UP OR ELECTRIC SHOCK, UNPLUG THE POWER CORD BEFORE ATTEMPTING ANY INSPECTION OR MAINTENANCE.

### Lubrication

Mastercraft® tools are properly lubricated at the factory, and are ready to use. When necessary, use a dry silicone spray to lubricate parts that pivot or move.

### General maintenance

Before each use, inspect the blade, the blade guard, the switch, the water pump, the power cord, and the extension cord. Check for loose screws, jamming, improper mounting, broken parts, and any other condition that may affect the safe operation of the tile saw. If an unusual operating noise or vibration occurs, turn the wet tile saw off, and correct the problem before using the saw again.

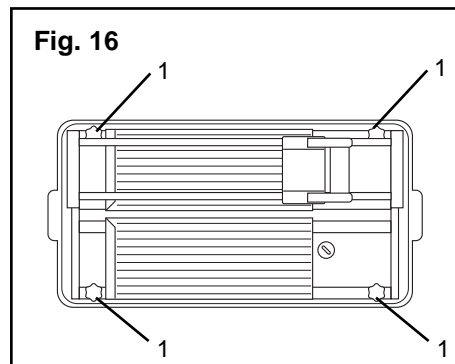
### Cleaning

Empty the water from the water tray after each use and before storing the wet tile saw.

Use a dry, clean rag to clean and dry all areas of the wet tile saw. Do not use solvents or other harsh chemicals to clean the tile saw, because they are harmful to plastic and other insulated parts. Petroleum-based products, brake fluid, thinners, and ammonia detergents are also harmful to the wet tile saw.

### Removing the blade assembly (Fig. 16)

1. Turn the power OFF and unplug the wet tile saw from the power source.
2. Disconnect the water pump and remove it from the tray.
3. Loosen the four knobs **(1)** that hold the blade assembly to the tray.
4. Lift the blade assembly up and out of the tray. Set the blade assembly on a suitable work surface.





## IX. Parts list

### MASTERCRAFT® 7" (17.8 cm) SLIDING WET TILE SAW

**55-6740-2**

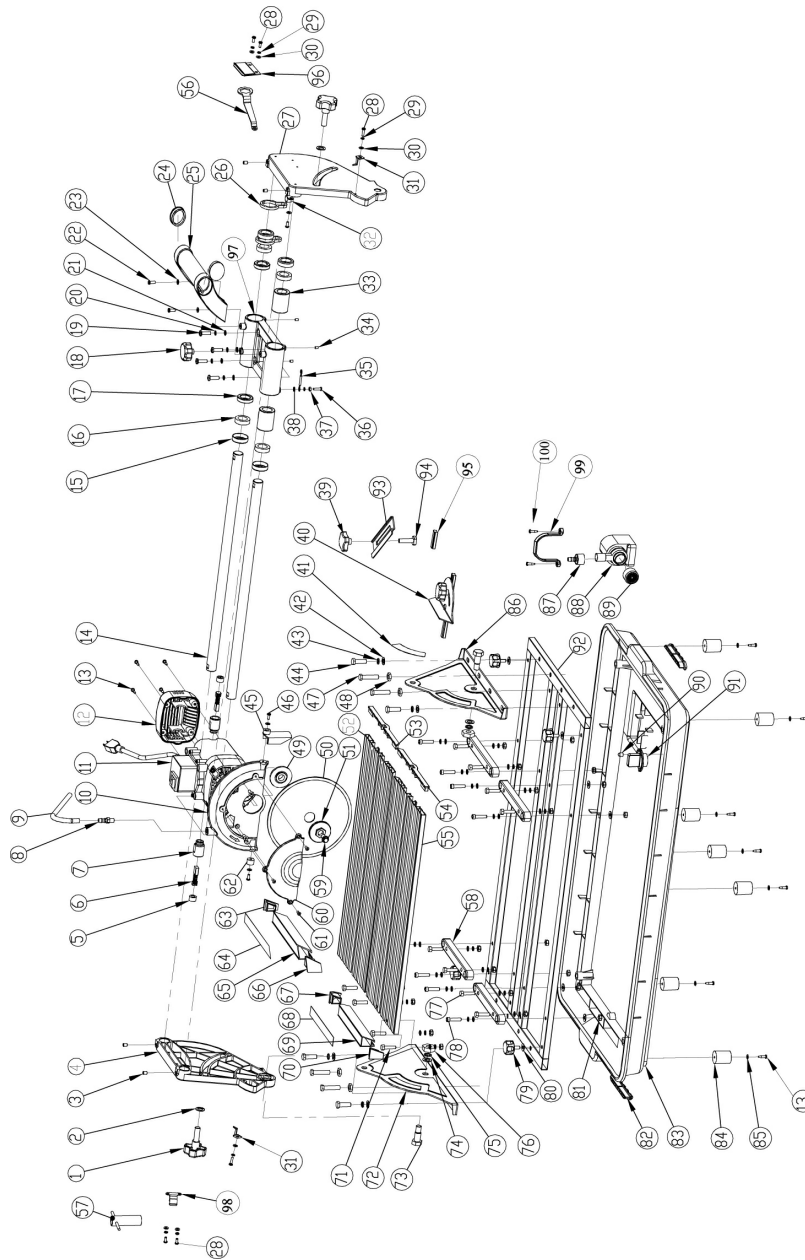
When servicing the Mastercraft® Wet Tile Saw, use only Mastercraft® replacement parts. The use of any other parts may cause damage to the product. All servicing of the wet tile saw should be performed by a qualified service technician. For more information, call the Toll-Free Helpline at 1-800-689-9928.

No.	Description	Qty.	No.	Description	Qty.
01	Knob (A)	2	51	Outer flange	1
02	Flat washer 10	2	52	Worktable (A)	1
03	Screw M6 x 8	4	53	Table end (A)	2
04	Sliding bar support (A)	1	54	Table end (B)	2
05	Carbon brush cap	2	55	Worktable (B)	1
06	Carbon brush (set of 2)	2	56	Wrench	1
07	Carbon brush holder	2	57	Socket wrench	1
08	Hose connector	1	58	Table support	4
09	Water tubing	1	59	Blade bolt	1
10	Blade housing	1	60	Blade cover	1
11	Motor assembly	1	61	Screw M4 x 12	3
11A	Water proof switch	1	62	Rubber cushion	1
12	Rear cover	1	63	Fence cap	1
13	Screw ST4 x 15	11	64	Scale (A)	1
14	Sliding bar	2	65	Fence (A)	1
15	Seal	4	66	Fence cap (C)	1
16	Felt bushing	4	67	Fence cap (D)	1
17	Bearing	2	68	Scale (B)	1
18	Knob (B)	1	69	Fence (B)	1
19	Screw M6 x 20	4	70	Fence cap (B)	1
20	Spring washer 6	24	71	Hex bolt M6 x 15	4
21	Flat washer 6	24	72	Steel support (B)	1
22	Screw M5 x 12	2	73	Connection shaft	2
23	Flat washer 5	2	74	Flat washer 10	2
24	End cap	2	75	Spring washer 10	2
25	Handle	1	76	Hex nut M10	2
26	Tubing holder	2	77	Hex bolt M6 x 30	8
27	Sliding bar support (B)	1	78	Screw M6 x 25	8
28	Screw M4 x 15	7	79	Knob (C)	4
29	Spring washer 4	7	80	Flat washer 6	12
30	Flat washer 4	9	81	Hex nut M6	8
31	Pointer	2	82	Carrying handle grip	2
32	Clip	1	83	Reservoir base	1
33	Linear bearing	2	84	Rubber feet	7
34	Screw M4 x 6	3	85	Flat washer	7
35	Ground wire	1	86	Steel support (A)	1
36	Screw M4 x 20	1	87	Water pump connector	1
37	Hex nut M4	1	88	Pump	1
38	Toothed washer 4	1	89	Filter	1
39	Knob	1	90	Rubber cap	1
40	Mitre gauge	1	91	Drain plug	1
41	Bevel scale	2	92	Stainless frame	1
42	Flat washer 8	4	93	Clamp plate	1
43	Spring washer 8	4	94	Bolt	1
44	Hex bolt M8 x 25	4	95	Guide	1
45	Rubber water deflector	1	96	Wrench storage	1
46	Screw M4 x 10	2	97	Holder	1
47	Hex bolt M8 x 30	4	98	Socket wrench storage	1
48	Hex nut M8	4	99	Water pump bracket	1
49	Inner flange	1	100	Screw ST 4 x 16	2
50	Blade	1	999	Owner's manual (not shown)	1

## IX. Parts list (continued)

MASTERCRAFT® 7" (17.8 cm) SLIDING WET TILE SAW

55-6740-2



## X. Warranty

### 3-Year Limited Warranty

This Mastercraft product is guaranteed for a period of three (3) years from the date of original retail purchase against defects in workmanship and materials, except for the following components:

- a) Component A: Batteries, chargers and carrying case, which are guaranteed for a period of two (2) years from the date of original retail purchase against defects in workmanship and materials;
- b) Component B: Accessories, which are guaranteed for a period of one (1) year from the date of original retail purchase against defects in workmanship and materials.

Subject to the conditions and limitations described below, this product, if returned to us with proof of purchase within the stated warranty period and if covered under this warranty, will be repaired or replaced (with the same model, or one of equal value or specification), at our option. We will bear the cost of any repair or replacement and any costs of labour relating thereto.

#### **These warranties are subject to the following conditions and limitations:**

- a) a bill of sale verifying the purchase and purchase date must be provided;
- b) this warranty will not apply to any product or part thereof which is worn or broken or which has become inoperative due to abuse, misuse, accidental damage, neglect or lack of proper installation, operation or maintenance (as outlined in the applicable owner's manual or operating instructions) or which is being used for industrial, professional, commercial or rental purposes;
- c) this warranty will not apply to normal wear and tear or to expendable parts or accessories that may be supplied with the product that are expected to become inoperative or unusable after a seasonable period of use;
- d) this warranty will not apply to routine maintenance and consumable items such as, but not limited to, fuel, lubricants, vacuum bags, blades, belts, sandpaper, bits, fluids, tune-ups or adjustments;
- e) this warranty will not apply where damage is caused by repairs made or attempted by others (i.e., persons not authorized by the manufacturer);
- f) this warranty will not apply to any product that was sold to the original purchaser as a reconditioned or refurbished product (unless otherwise specified in writing);

## **X. Warranty (continued)**

- g) this warranty will not apply to any product or part thereof if any part from another manufacturer is installed therein or any repairs or alterations have been made or attempted by unauthorized persons;
- h) this warranty will not apply to normal deterioration of the exterior finish, such as, but not limited to, scratches, dents, paint chips, or to any corrosion or discolouring by heat, abrasive and chemical cleaners; and
- i) this warranty will not apply to component parts sold by and identified as the product of another company, which shall be covered under the product manufacturer's warranty, if any.

### **Additional Limitations**

This warranty applies only to the original purchaser and may not be transferred. Neither the retailer nor the manufacturer shall be liable for any other expense, loss or damage, including, without limitation, any indirect, incidental, consequential or exemplary damages arising in connection with the sale, use or inability to use this product.

### **Notice to Consumer**

This warranty gives you specific legal rights, and you may have other rights, which may vary from province to province. The provisions contained in this warranty are not intended to limit, modify, take away from, disclaim or exclude any statutory warranties set forth in any applicable provincial or federal legislation.